

GFH-100-K Concealed Lever Pull

Features

- **GAK type:** Lever held at multiple opening position
- **GBK type:** Lever held closed by spring
- Use bracket for sheet metal applications
- Door thickness: min. 25 mm

Material

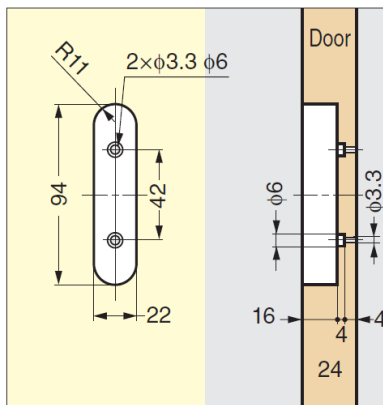
- Body: Zinc alloy, nickel finish
- Handle: Zinc alloy, satin nickel finish

Parts Included

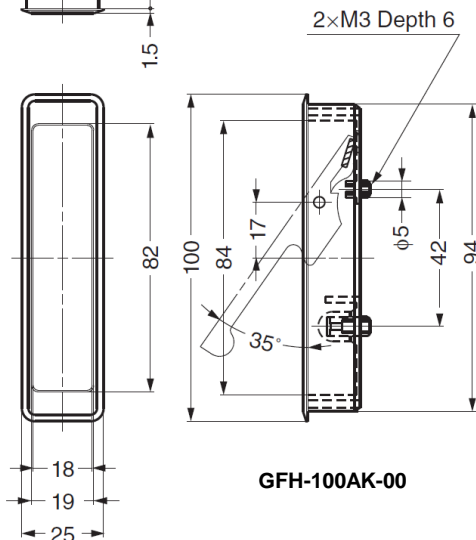
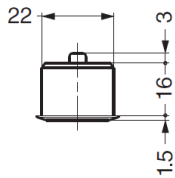
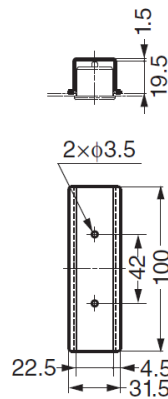
- Truss head screw M3×12



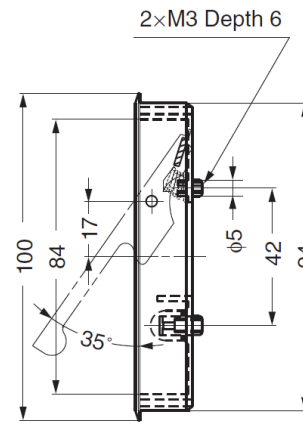
Cut Out Dimensions



Bracket for Sheet Metal (Example)



GFH-100AK-00



GFH-100BK-00

Part No.	Description
GFH-100AK-00	Lever held at multiple opening position
GFH-100BK-00	Lever held closed by spring